

# Pointer® Flex

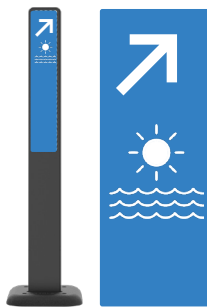
Vertical traffic delineator.



Impact energy dissipation.



Message integration.



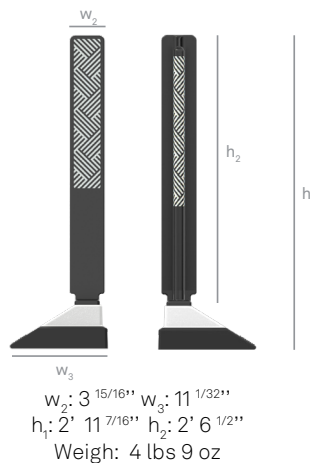
Color options.



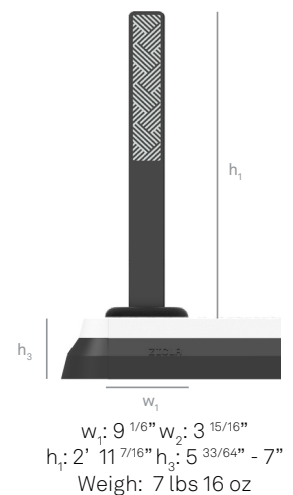
Installed on pavement.



Integrated into the Zipper® system.



Integrated into the Vectorial® system.



## Configurations.

### Pointer® Flex delineator integrated into the Vectorial® platform with integrated cycle lane.

Warns of the change in gradient and of shared use of the platform.



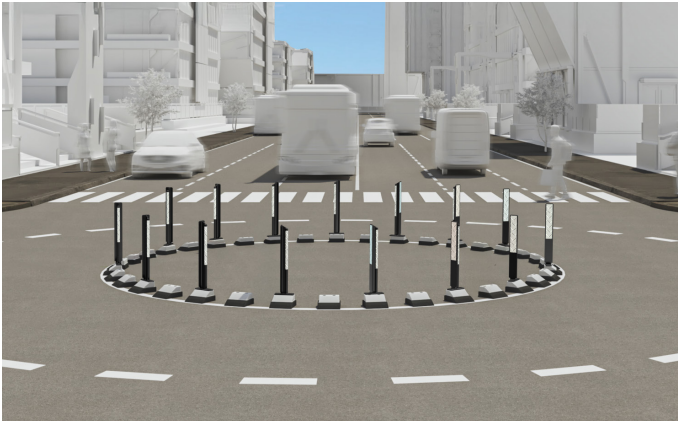
### Pointer® Flex delineator integrated into the Vectorial® platform with access bridge and integrated cycle path.

Warns of the start and end of the platform, as well as any change in gradient.



### Pointer® Flex delineator integrated into the Zipper® system.

For rapid construction of safe intersections thanks to its high visibility.



### Pointer® Flex delineator integrated into the Zipper® system.

Increases intersection visibility.



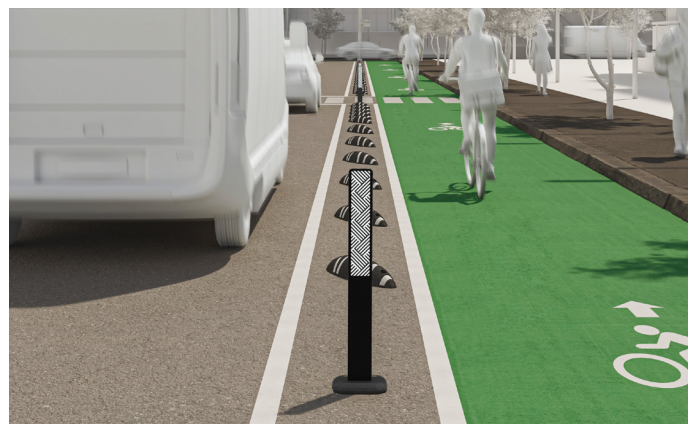
### Pointer® Flex delineator integrated into the Zipper® system.

To clearly indicate the start of a cycle lane, as well as intersections or pedestrian crossings.



### Pointer® Flex delineator combined with the Zebra Family®.

It increases the visibility from a distance of the separator elements between the cycle lane and the lanes intended for motor traffic.



#### Made in.

EU.  
1<sup>st</sup> year of  
production.  
2022.

#### CE marking.

It meets EU safety,  
health and environmental  
protection requirements.



#### Eco-labels.

The emblem of  
Guarantee of  
Environmental  
Quality.



#### Registered design.

EUIPO.  
009008048-0001  
009008048-0002  
015105277-0001

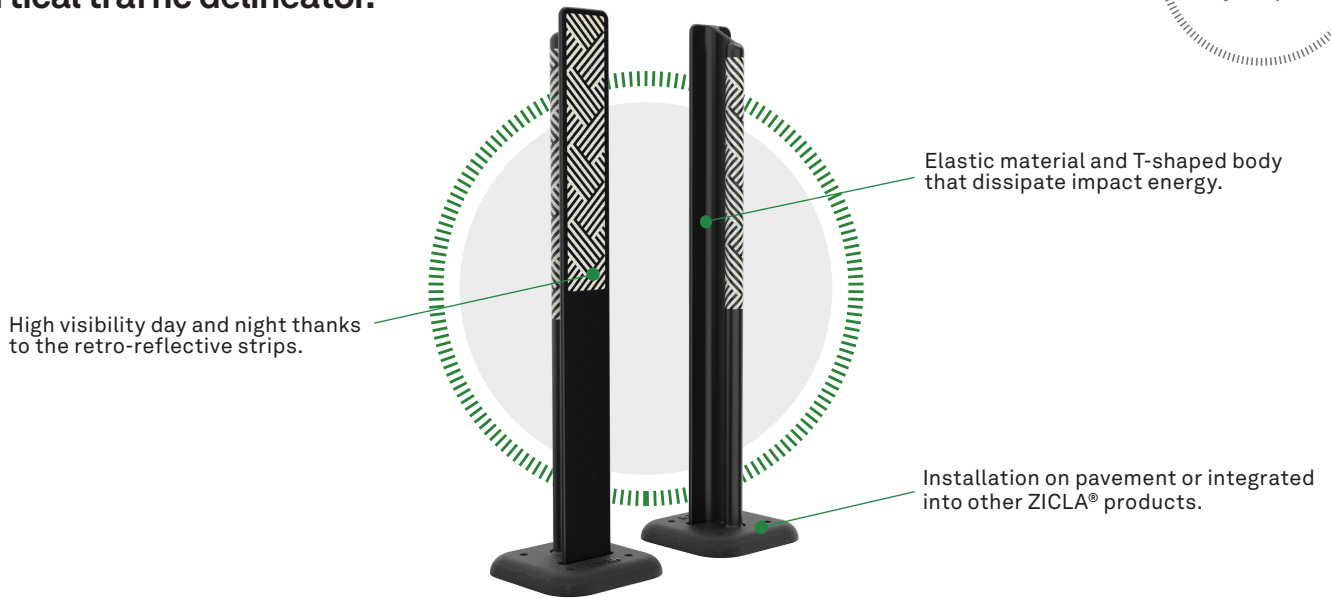
United States Design Patent.  
US D1,038,802 S  
United States Copyright.  
TX 9-447-142

#### Carbon footprint.

Consult.

# Pointer® Flex

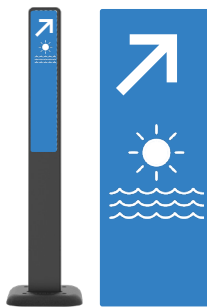
Vertical traffic delineator.



Impact energy dissipation.



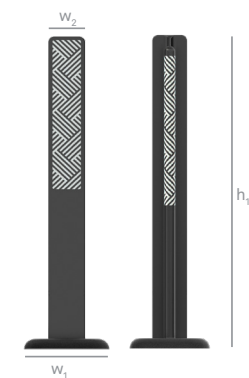
Message integration.



Color options.

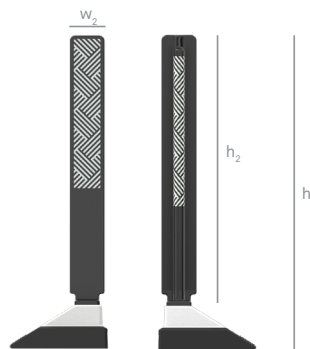


Installed on pavement.



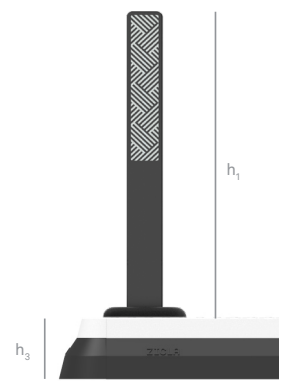
$w_1$ : 230 mm  $w_2$ : 100 mm  
 $h_1$ : 900 mm  
 Weight: 3.6 kg

Integrated into the Zipper® system.



$w_2$ : 100 mm  $w_3$ : 280 mm  
 $h_1$ : 900 mm  $h_2$ : 775 mm  
 Weight: 2.1 kg

Integrated into the Vectorial® system.



$w_1$ : 230 mm  $w_2$ : 100 mm  
 $h_1$ : 900 mm  $h_3$ : 140/180 mm  
 Weight: 3.6 kg

## Configurations.

### Pointer® Flex delineator integrated into the Vectorial® platform with integrated cycle lane.

Warns of the change in gradient and of shared use of the platform.



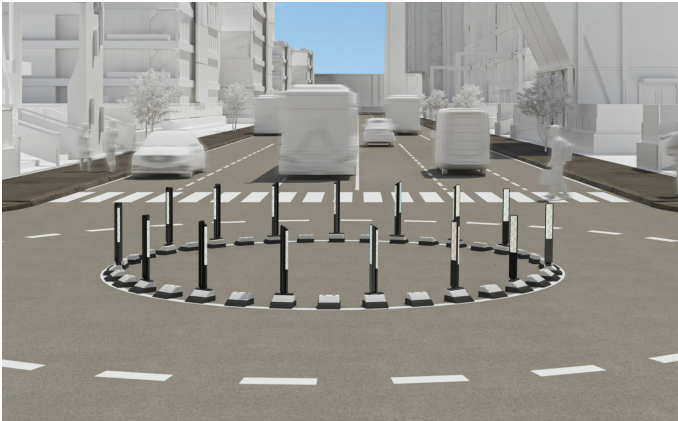
### Pointer® Flex delineator integrated into the Vectorial® platform with access bridge and integrated cycle path.

Warns of the start and end of the platform, as well as any change in gradient.



### Pointer® Flex delineator integrated into the Zipper® system.

For rapid construction of safe intersections thanks to its high visibility.



### Pointer® Flex delineator integrated into the Zipper® system.

Increases intersection visibility.



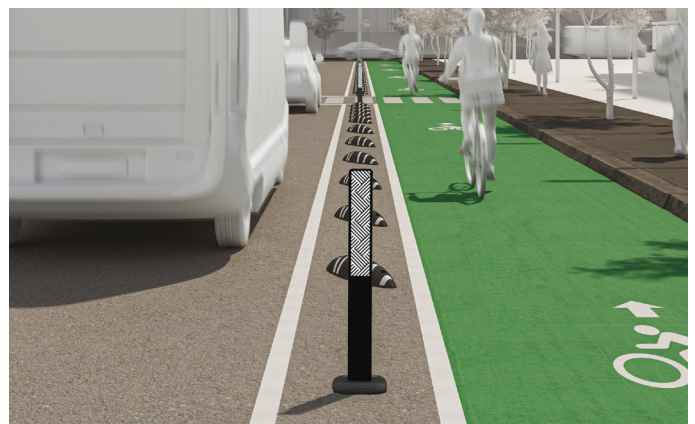
### Pointer® Flex delineator integrated into the Zipper® system.

To clearly indicate the start of a cycle lane, as well as intersections or pedestrian crossings.



### Pointer® Flex delineator combined with the Zebra Family®.

It increases the visibility from a distance of the separator elements between the cycle lane and the lanes intended for motor traffic.



#### Made in.

EU.  
1<sup>st</sup> year of  
production.  
2022.

#### CE marking.

It meets EU safety,  
health and environmental  
protection requirements.



#### Eco-labels.

The emblem of  
Guarantee of  
Environmental  
Quality.



#### Registered design.

EUIPO.  
009008048-0001  
009008048-0002  
015105277-0001

United States Design Patent.  
US D1,038,802 S  
United States Copyright.  
TX 9-447-142

#### Carbon footprint.

Consult.