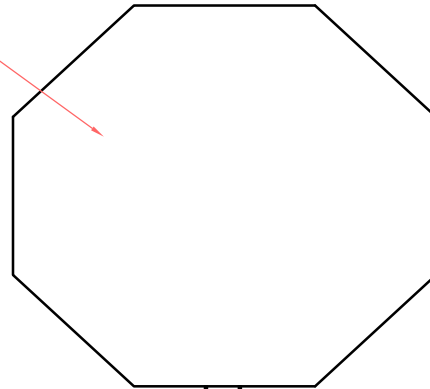


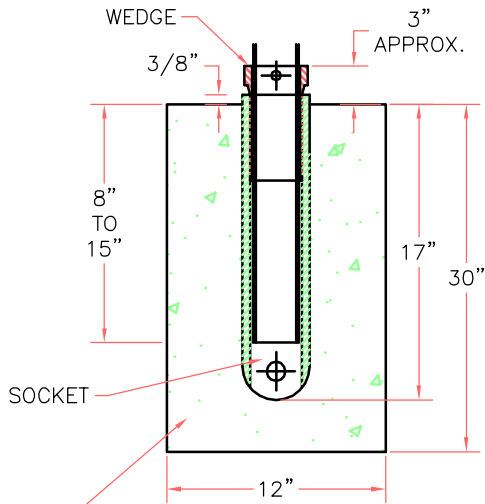
# SHUR-TITE SMALL SIGN SUPPORT

UP TO 10 SQ.  
FT. OF SIGN

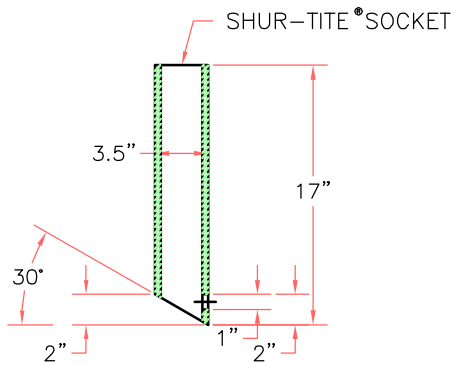
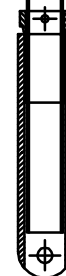


2 3/8" O.D. X .095 STEEL  
POST GALVANIZED OR  
POWDERCOATED (COLOR TBD.)

2 3/8" FIBERGLASS POST



NON-REINFORCED CONCRETE FOOTING (SHALL BE USED UNLESS NOTED ELSEWHERE IN THE PLANS). FOUNDATION SHOULD TAKE APPROX. 1.9 CF OF CONCRETE. (APPROX. 14 POSTS CAN BE INSTALLED PER CUBIC YARD OF CONCRETE.)



SHUR-TITE®  
PRODUCTS

TYPE:

SHUR-TITE  
SMALL SIGN SUPPORT

DRAWN BY:

PH

DATE:

07/02/07

CHECKED BY:

DWH

REVISION:

1

SHEET:

1 OF 1